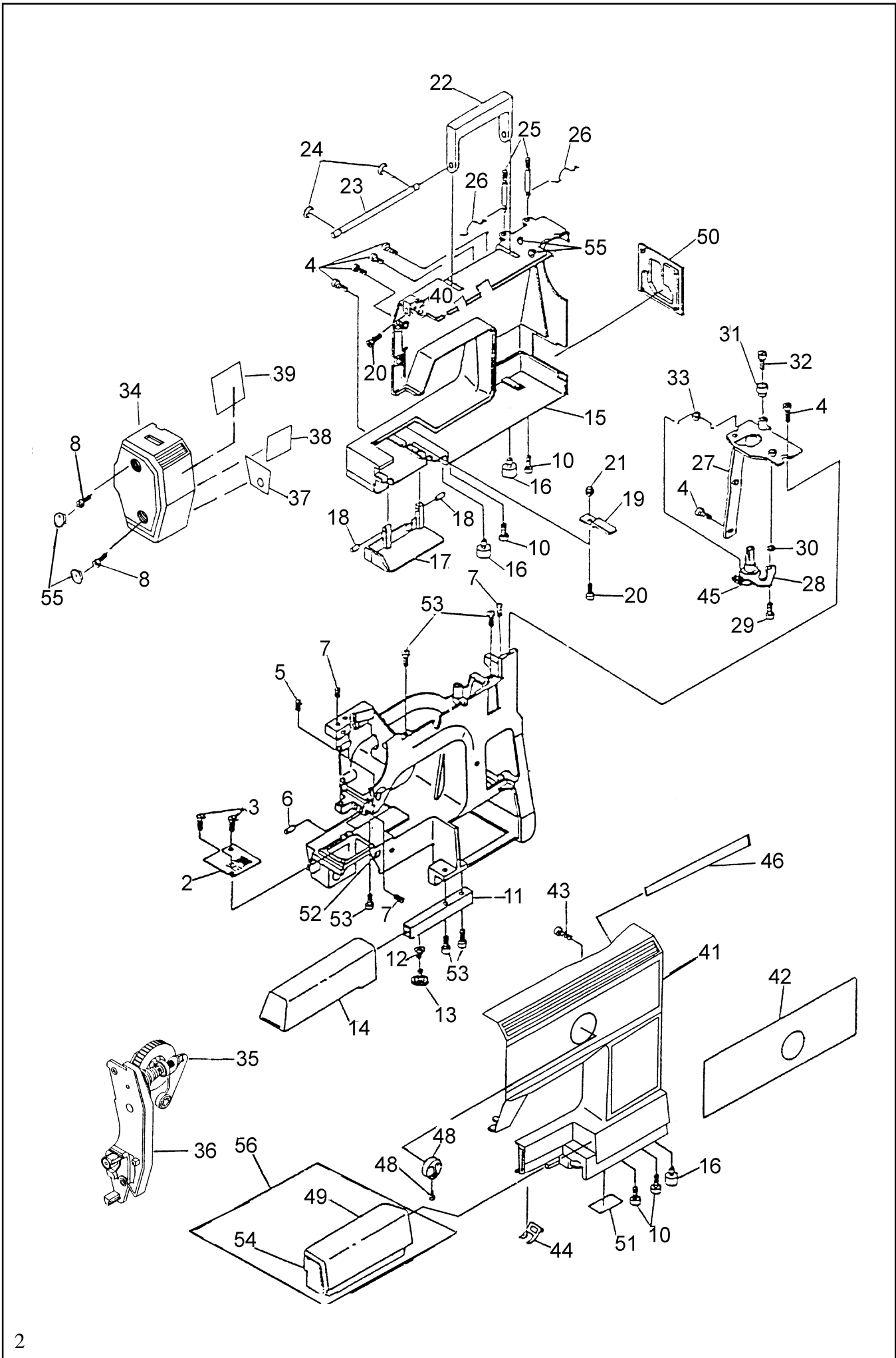


Spare parts
Ersatzteile
Pièces détachées
Reservdelar

Meister 145
165

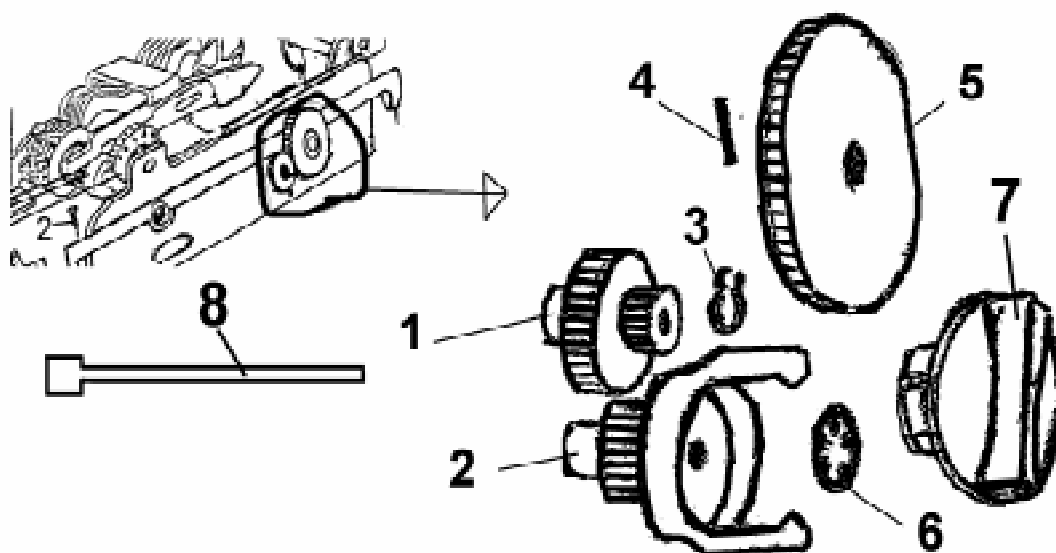


<u>POS NUMBER</u>	<u>DENOMINATION</u>	<u>POS NUMBER</u>	<u>DENOMINATION</u>		
2	415 60 01-01	48	415 60 50-01	Needle plate	Set screw
3	415 60 02-01	49	415 68 57-01	Set screw	Extension table cover,
4	415 60 03-01	50	415 68 27-01	Set screw	Socket plate (220V)
5	415 60 04-01	51	415 68 80-01	Set screw	Machine number plate
6	415 60 05-01	52	415 62 56-01	Lead shaft	Sticker
7	415 60 06-01	53	415 64 45-01	Set screw	Set screw
8	415 64 95-01	54	415 68 30-01	Set screw	Extension table body
10	415 60 09-01	55	415 68 29-01	Set screw	Adjusting hole plug
11	415 60 10-01	56	415 68 58-01	Support leg	Extention table Compl.
12	415 60 11-01			Spring	
13	415 60 12-01			Adjusting screw	
14	415 68 18-01			Cover, support leg, white	
15a	415 68 45-01			Back cover, 165	
15b	415 68 46-01			Back cover, 145	
16	415 60 15-01			Foot	
17	415 68 20-01			Shuttle race cover, white	
18	415 60 17-01			Spring pin	
19	415 60 18-01			Spring plate	
20	415 60 19-01			Set screw	
21	415 60 20-01			Nut	
22	415 68 21-01			Handle compl.	
23	415 60 22-01			Handle pin	
24	415 60 23-01			Wave washer	
25	415 60 24-01			Spool pin A	
26	415 60 25-01			Spool pin spring	
27	415 60 26-01			B/W supporting plate	
28	415 60 27-01			Bobbin winder compl.	
29	415 60 28-01			Set screw	
30	415 60 29-01			Washer	
31	415 60 30-01			Bobbin winder stopper	
32	415 60 31-01			Set screw	
33	415 60 32-01			Bobbin winder spring C	
34	415 68 47-01			Face plate	
35	415 68 48-01			Tension compl. (A)	
36	415 68 49-01			Tension compl. (B)	
37	415 64 64-01			Aluminium plate	
38	415 64 44-01			Aluminium plate	
39	415 68 50-01			Face plate	
40	415 64 52-01			Thread guide compl.	
41a	415 68 51-01			Front cover, (165)	
41b	415 68 52-01			Front cover, (145)	
42a	415 68 53-01			Arm panel (165),	
42b	415 68 54-01			Arm panel (145)	
43	415 60 38-01			Set screw	
44	415 60 45-01			Panel base setter	
45	415 62 59-01			Bobbin winder rubber ring	
46	415 68 55-01			Sticker	
47	415 68 56-01			Pattern selector dial	

SERVICE ADVICE No: S97/16-26

DATE: 1997-10-01

MODEL: Meister 145,165

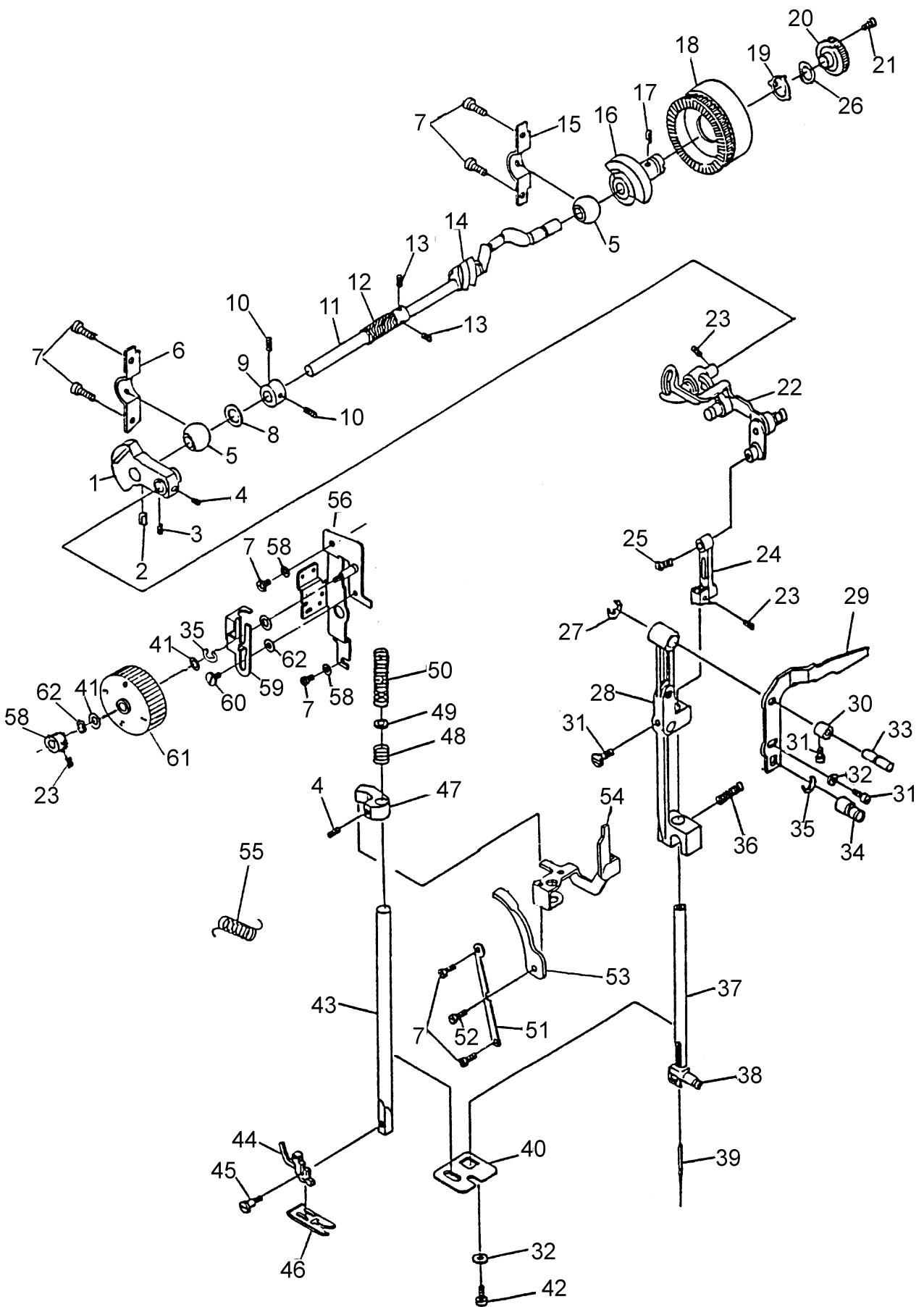


Spare part news

New spare parts can now be ordered.

<u>No ill.</u>	<u>Order no.</u>	<u>Designation</u>
1	415 69 07-01	Cogwheel - small
2	415 69 08-01	Hub
3	415 69 09-01	Compression ring
4	415 69 10-01	Pin
5	415 69 11-01	Cogwheel - large
6	415 69 12-01	Locking washer
7	415 68 56-01	Knob
8	415 68 81-01	Index tape

N.B.! When mounting the index tape 415 68 81-01 a minor adjustment on the stitch display of the index tape has to be made.

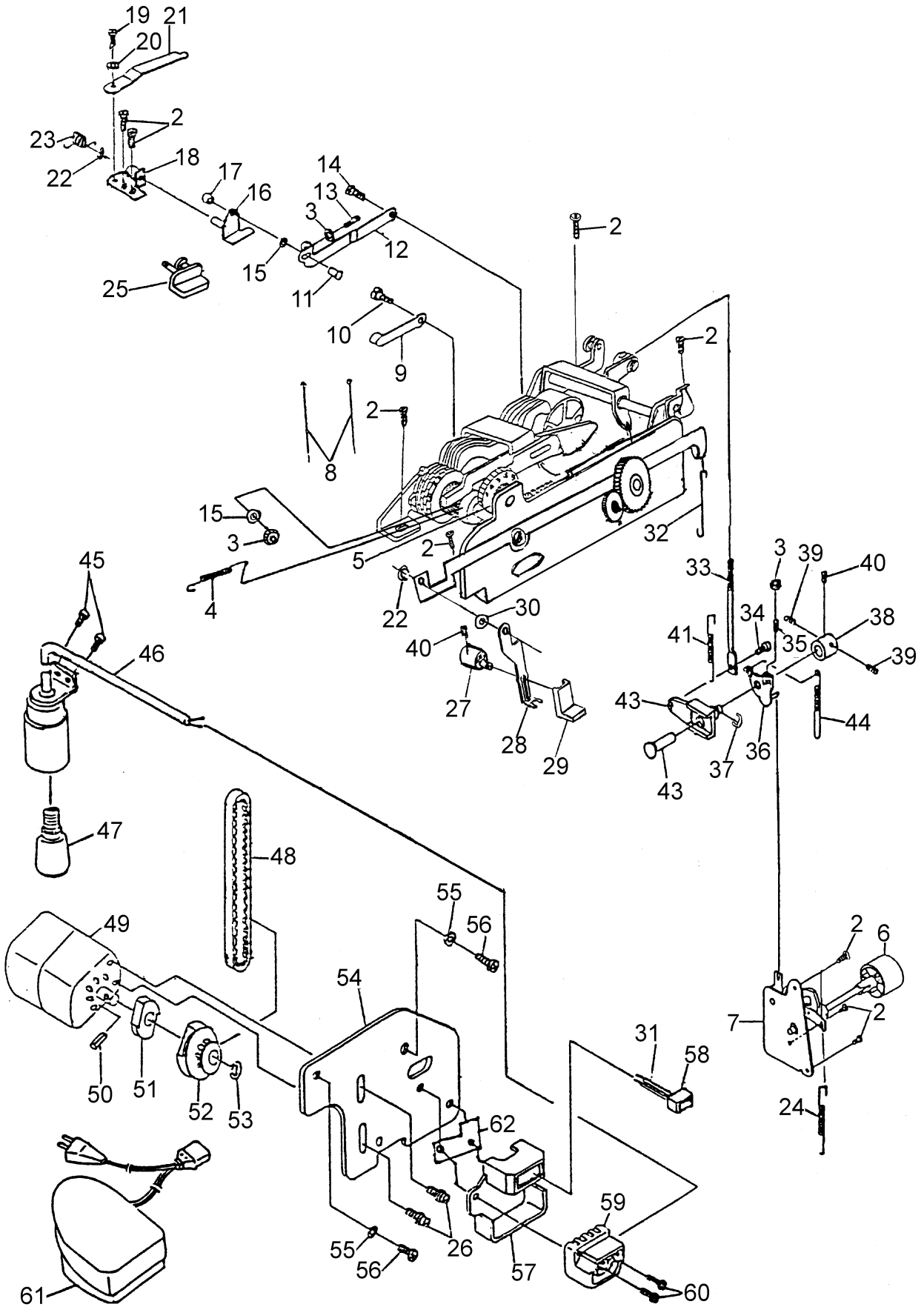


POS NUMBER DENOMINATION

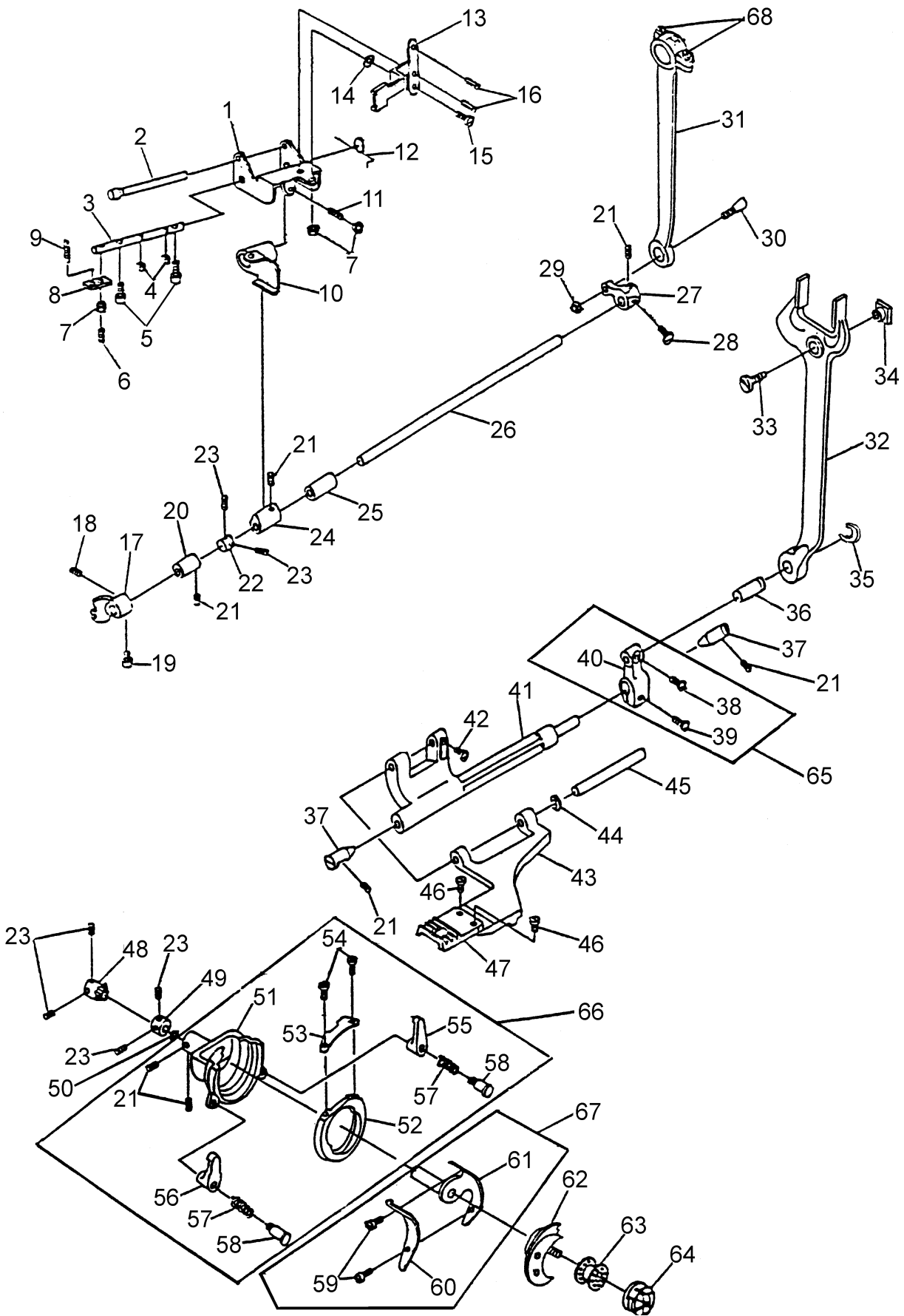
1	415 60 55-01	Thread take-up crank
2	415 60 56-01	Spring pin
3	415 60 57-01	Set screw
4	415 60 58-01	Set screw
5	415 60 59-01	Front bushing
6	415 60 60-01	Front bushing bracket
7	415 60 03-01	Set screw
8	415 60 62-01	Nylon washer
9	415 60 63-01	Stop ring
10	415 60 04-01	Set screw
11	415 60 65-01	Upper shaft
12	415 60 66-01	Upper shaft worm gear
13	415 60 67-01	Set screw
14	415 60 68-01	Feed cam
15	415 60 69-01	Rear bushing bracket
16	415 60 70-01	Balanced wheel
17	415 60 17-01	Spring pin
18	415 68 36-01	Hand wheel
19	415 60 73-01	Stop motion washer
20	415 68 37-01	Stop motion large screw
21	415 60 75-01	Set screw
22	415 64 53-01	Take-up lever compl
23	415 60 06-01	Set screw
24	415 60 78-01	Needle bar holder opl.
25	415 64 71-01	Set screw
26	415 65 13-01	Washer
27	415 60 81-01	C-washer
28	415 64 46-01	Needle bar support
29	415 60 83-01	Zigzag driving plate
30	415 60 84-01	Stop ring
31	415 60 19-01	Set screw
32	415 60 86-01	Washer
33	415 60 87-01	Needle bar support pin
34	415 60 88-01	Eccentric pin
35	415 60 89-01	C-washer
36	415 60 90-01	Spring
37	415 60 91-01	Needle bar
38	415 60 92-01	Needle clamp compl.
39	411 31 04-01	Needles 5x80
40	415 60 94-01	Needle bar stopper plate
41	415 68 59-01	Washer
42	415 60 96-01	Set screw
43	415 60 97-01	Presser bar
44	415 60 98-01	Presser foot holder
45	415 60 99-01	Set screw
46	415 61 00-01	Z/Z presser foot
47	415 61 01-01	Guide bracket
48	415 61 02-01	Spring

POS NUMBER DENOMINATION

49	415 61 03-01	Spring washer
50	415 64 73-01	Pressure bar spring
51	415 61 05-01	Pressure bar lifter bracket
52	415 61 06-01	Set screw
53	415 65 10-01	Pressure bar lifter
54	415 65 11-01	Tension release lever
55	415 65 12-01	Spring
56	415 68 60-01	Pressure support
57	415 61 12-01	Washer
58	415 68 61-01	Collar
59	415 68 62-01	Pressure plate
60	415 68 63-01	Set screw
61	415 68 64-01	Dial, presser bar pressure
62	415 64 97-01	Washer



<u>POS</u>	<u>NUMBER</u>	<u>DENOMINATION</u>	<u>POS</u>	<u>NUMBER</u>	<u>DENOMINATION</u>
1a	415 68 65-01	Zigzag mechanism compl. model (165)	45	415 61 13-01	Set screw
1b	415 68 66-01	Zigzag mechanism compl. model (145)	46a	415 61 63-01	Light cord compl. 220 V
2	415 60 03-01	Set screw	46b	415 61 64-01	Light cord compl. 120 V
3	415 60 20-01	Nut	47a	415 61 65-01	Light bulb 220 V
4	415 61 21-01	Spring (145)	47b	415 61 66-01	Light bulb 120 V
5	415 68 67-01	Zig zag dial indication plate(165)	48	415 61 67-01	Belt
6	415 68 68-01	Select l dial	49a	415 61 68-01	Motor compl. (220V)
7	415 68 69-01	Stitch lenght dial	49b	415 61 69-01	Motor compl. (120V)
8	415 65 70-01	Band	49c	415 60 41-01	Motor compl. (240V)
9a	415 61 26-01	Zero adjusting crank (145)	50	415 61 70-01	Spring pin
9b	415 68 70-01	Zero adjusting crank (165)	51	415 61 71-01	Motor clutch
10	415 61 27-01	Set screw	52	415 61 72-01	Motor pulley compl.
11	415 61 28-01	Riveting pin (145)	53	415 60 23-01	C-washer
12	415 61 29-01	Zigzag connecting (145)	54a	415 61 74-01	Motor bracket (220V)
13	415 61 30-01	Adjusting screw	54b	415 61 75-01	Motor bracket (120V)
14	415 61 31-01	Set screw	55	415 61 76-01	Spring washer
15	415 60 86-01	Washer	56	415 61 77-01	Set screw
16	415 61 33-01	Zigzag connect. crank A	57	415 68 77-01	Switch fixed plate
17	415 61 34-01	Rollar	58	415 64 58-01	Power supply switch
18	415 61 35-01	Zigzag mechanism body	59a	415 61 82-01	Socket (220V)
19	415 60 09-01	Set screw (145)	59b	415 61 83-01	Socket 20V)
20	415 61 37-01	Washer (145)	60	415 61 84-01	Set screw
21	415 61 38-01	Angle index spring plate	61a	415 61 85-01	Foot control compl. 220 V
22	415 60 89-01	C-washer	61b	415 61 86-01	Foot control compl. 120 V
23	415 61 40-01	Spring	61c	415 62 57-01	Foot control compl. 240 V
24	415 68 71-01	Reverse spring	62	415 64 41-01	Insulated plate
25	415 66 72-01	Connecting crank	63	415 69 07-01	Cogwheel - small
26	415 61 90-01	Set screw	64	415 69 08-01	Hub
27	415 68 73-01	Reverse dial supporter	65	415 69 09-01	Compression ring
28	415 68 74-01	Reverse moving connect rod	66	415 69 10-01	Pin
29	415 68 75-01	Reverse button	67	415 69 11-01	Cogwheel - large
30	415 64 55-01	Washer	68	415 69 12-01	Locking washer
31	415 64 16-01	Switch wire	69	415 68 56-01	Knob
32	415 68 76-01	Reverse connection rod	70	415 68 81-01	Indexband
33	415 61 50-01	Straight stitch rod			
34	415 61 51-01	Set screw			
35	415 61 52-01	Adjusting screw			
36	415 64 42-01	Feed regulator bracket			
37	415 61 54-01	C-washer			
38	415 61 55-01	Stop ring			
39	415 60 06-01	Set screw			
40	415 60 04-01	Set screw			
41	415 61 58-01	Feed regulator spring			
42	415 64 43-01	Feed regulator			
43	415 61 60-01	Feed regulator shaft			
44	415 61 61-01	Spring			



<u>POS</u>	<u>NUMBER</u>	<u>DENOMINATION</u>	<u>POS</u>	<u>NUMBER</u>	<u>DENOMINATION</u>
1	415 61 92-01	Body, feed drop compl.	56	415 62 55-01	Clasp (left)
2	415 61 93-01	Adjust. shaft, feed drop	57	415 62 47-01	Clasp spring
3	415 64 57-01	Shaft, feed drop	58	415 62 48-01	Set screw
4	415 60 81-01	C-washer	59	415 62 49-01	Set screw
5	415 61 96-01	Set screw	60	415 62 50-01	Hook driver spring
6	415 61 30-01	Adjusting screw	61	415 62 51-01	Hook driver shaft
7	415 60 20-01	Nut	62	415 62 52-01	Hook
8	415 61 99-01	Spring holder	63	415 62 53-01	Bobbin
9	415 62 00-01	Spring	64	415 62 54-01	Bobbin case, compl.
10	415 62 01-01	Plate, feed drop	65	415 63 26-01	Crank, shaft feed rock
11	415 62 02-01	Adjusting screw	66	415 63 09-01	Hook race body compl.
12	415 62 03-01	Spring	67	415 63 10-01	Hook driver shaft compl.
13	415 62 04-01	Lever, feed drop	68	415 64 09-01	Set screw
14	415 61 44-01	Wave washer			
15	415 61 27-01	Set screw			
16	415 62 07-01	Spring pin			
17	415 68 78-01	Oscillating shaft gear			
18	415 62 10-01	Set screw			
19	415 62 09-01	Set screw			
20	415 62 16-01	Rear bushing lower shaft			
21	415 60 04-01	Set screw			
22	415 62 13-01	Stop ring			
23	415 60 06-01	Set screw			
24	415 62 15-01	Feed lifting cam			
25	415 62 11-01	Lower shaft front bushing			
26	415 62 17-01	Lower shaft			
27	415 68 79-01	Crank lower shaft			
28	415 62 19-01	Set screw			
29	415 62 20-01	Nut			
30	415 62 21-01	Cone screw			
31	415 64 10-01	Crank rod			
32	415 62 23-01	Fork rod			
33	415 62 24-01	Set screw			
34	415 62 25-01	Slide block fork rod			
35	415 62 26-01	C-washer			
36	415 62 27-01	Connecting ring			
37	415 62 28-01	Center pin			
38	415 63 27-01	Set screw			
39	415 62 29-01	Set screw			
40	415 62 31-01	Crank shaft, feed rock			
41	415 62 32-01	Shaft, feed rock			
42	415 63 25-01	Set screw			
43	415 62 34-01	Feed dog base			
44	415 60 89-01	C-washer			
45	415 62 36-01	Shaft feed dog base			
46	415 62 37-01	Set screw feed dog			
47	415 62 38-01	Feed dog			
48	415 64 72-01	Hook gear			
49	415 62 40-01	Stop ring, hook driver shaft			
50	415 62 41-01	Nylon washer			
51	415 64 76-01	Hook race body			
52	415 62 43-01	Hook race ring			
53	415 63 08-01	Spring			
54	415 62 45-01	Set screw			
55	415 62 46-01	Clasp (right)			

